



# **IBC TANK AGITATOR SYSTEM**

USER'S MANUAL



# CONTENTS

<b>1. PURPOSE</b> .....	<b>3</b>
<b>2. SAFETY INSTRUCTIONS</b> .....	<b>3</b>
a. HAZARDS FROM VIOLATION OF SAFETY RULES .....	3
b. STAFF FEATURES .....	3
c. SAFETY RULES FOR USERS .....	3
<b>3. TECHNICAL DIMENSIONS</b> .....	<b>3</b>
<b>4. BILL OF MATERIALS</b> .....	<b>4</b>
<b>5. ASSEMBLY/INSTALLATION</b> .....	<b>4</b>
<b>6. EMERGENCY SHUTDOWN AND POWER INTERRUPTIONS</b> .....	<b>4</b>

## 1. PURPOSE

The system aims to ensure the homogeneity of the fluid product in the tank.

## 2. SAFETY INSTRUCTIONS

During installation, it is important to follow the basic rules given in the instruction manual. Therefore, the user should read these instructions before installation and operation. Please comply with all safety regulations.

### a. HAZARDS FROM VIOLATION OF SAFETY RULES

Non-compliance with safety regulations may pose a dangers to the user.

Non-compliance with safety regulations may result in the following hazards:

- The user may be exposed to electrical and mechanical effects.
- Crucial functions of both the mixer and the IBC Tank may be impaired.

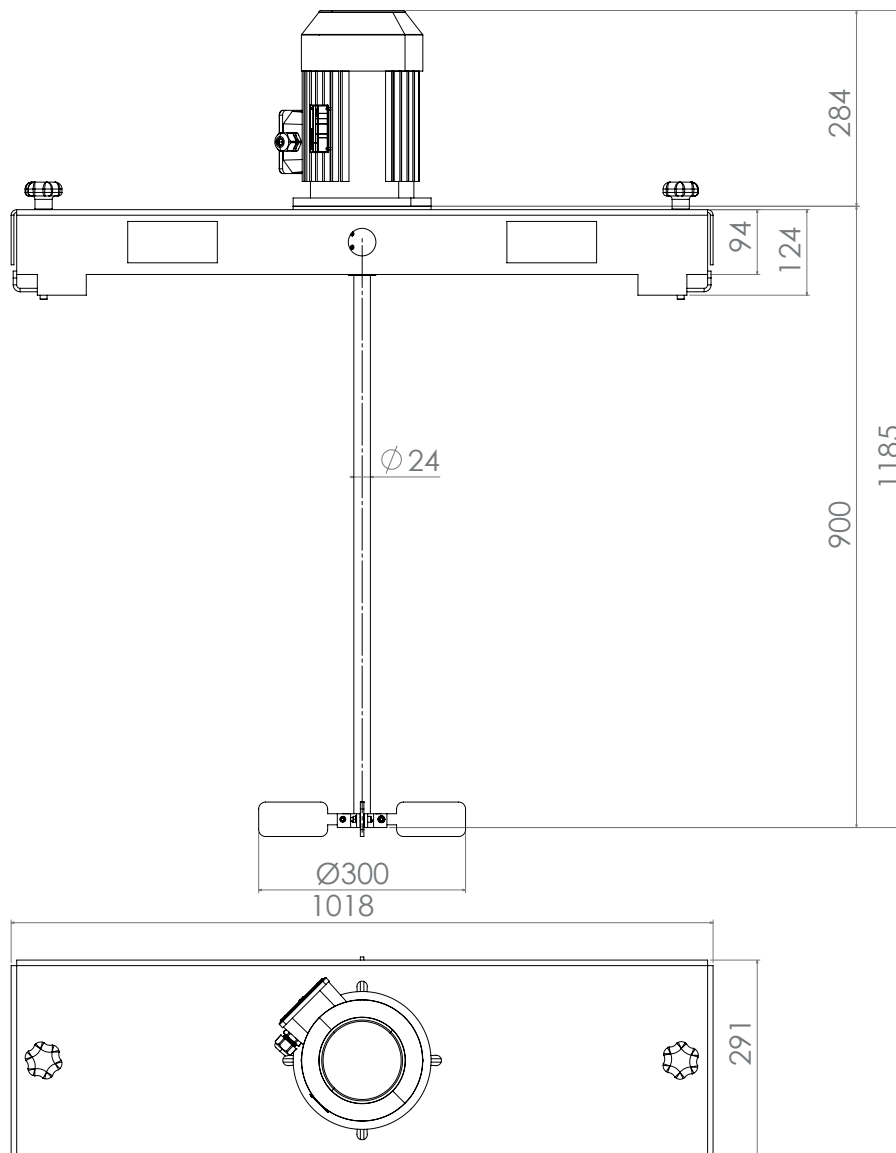
### b. STAFF FEATURES

Personnel responsible for the installation of the product must be knowledgeable and authorized.

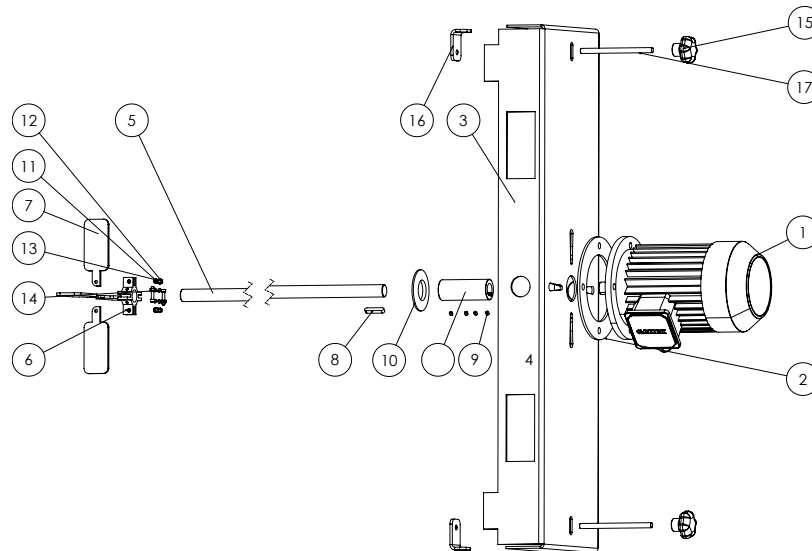
### c. SAFETY RULES FOR USERS

Please pay attention to occupational health and safety regulations!

## 3. TECHNICAL DIMENSIONS



## 4. BILL OF MATERIALS



ITEM NO	PART NAME	DIMENSIONS	MATERIAL	QUANTITY
1	ENGINE	90-TIP	-	1
2	ENGINE FLANGE	5x200	304TB	1
3	ENGINE BEARING SHEET	4x523x1162	304TB	1
4	SHAFT BUSH	Ø 40x100	AISI-304	1
5	SHAFT	Ø 24x850	AISI-304	1
6	WINGS SUPPORT	20x72x72	304 MAT	1
7	STIRRER WINGS	5x50x130	304 TB	4
8	WEDGE	8x7x40	304	1
9	STAY BOLT	M6	304	4
10	CONICAL SEAL	7x40x80	EPDM	1
11	IMBUS BOLT	M5x25	304	4
12	WASHER	M5	304	4
13	A.K.B. NUT	M5	304	4
14	STAY BOLT	M4	304	4
15	NUT WITH A HANDLE	M10	BAKALIT	2
16	TIGHTENING	5x40x80	304 TB	2
17	STUD	M10	304	2

- 1- In the system, 1 pc. Tank agitator is available.
- 2- In the system, 1 pc. It has electric motor.
- 3- In the system, 1 pc. There is a tank.
- 4- There are start-stop buttons.
- 5- The system, chassis and body are made of stainless material.

## 5. ASSEMBLY / INSTALLATION

- Before placing the system agitator in place, the product is filled into the tank.
- With the help of forklift, the agitator is placed on the tank.
- The handles are tightened to fix the agitator chassis.
- The electrical switch on the chassis is set to the on position and homogeneity is ensured.
- After the product homogeneity is achieved, the electrical turn off switch, stop the agitator.
- After closing the system, Open the handle that fixed with the help of a forklift and move the agitator.

## 6. EMERGENCY SHUTDOWN AND POWER INTERRUPTIONS

- When a power outage occurs, turn off the agitator and hydraulic lift from the panel.
- When a power outage occurs, turn off the agitator and hydraulic lift from the panel.