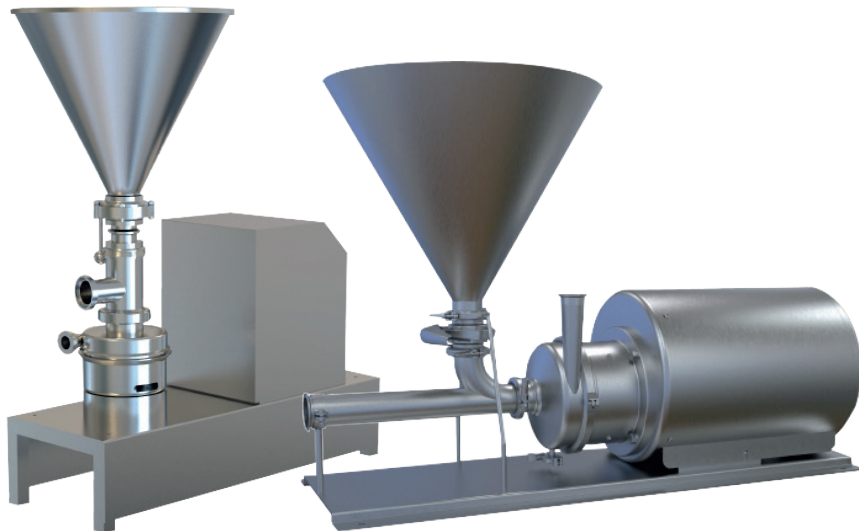
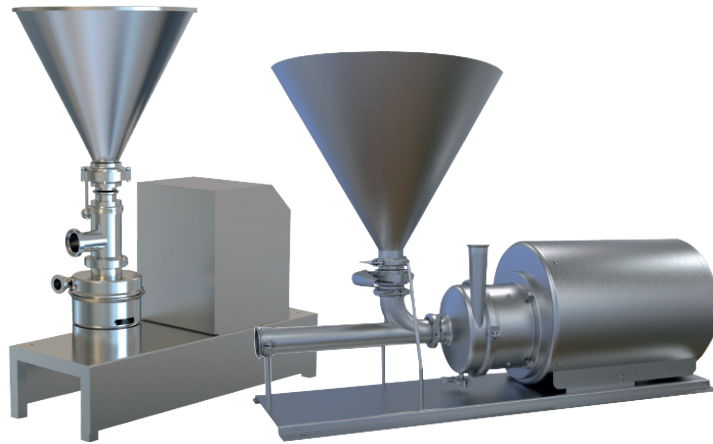




FB-100 / FB-200 BLENDER



YOUR SOLUTION PARTNER



FB-100 / FB-200 BLENDER

APPLICATION

FB100/FB200 blender is used to dissolve solid / powder products in to a liquid, recirculated in a tank. The blender is limited to the suction of small amount of solids as it has no table for bags and the hopper is smaller than that of the table blender.

WORKING PRINCIPLE

FB100/FB200 blender is a compact unit, it consists of a centrifugal pump with a venturi system on the suction side and a hopper with a butterfly valve above the venturi to add solid / powder products to the pumped liquid. The venturi system and the suction of the pump create a negative pressure at the base of the hopper. To achieve the best possible dissolution, it is recommended to recirculate the product.

OPTIONS

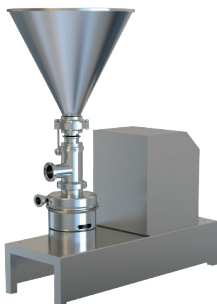
- Gaskets FPM or PTFE
- Connections DIN, SM
- Vibrator for hopper.
- Pneumatically actuated valve + low level sensor for solids.
- Solids upper level sensor

MATERIALS

- Parts in contact with the product : AISI 316L
- Other metal parts : AISI 304
- Gaskets : EPDM
- Mechanical seal : SiC/C/EPDM
- Internal Bright polish Ra : $\leq 0,8 \mu\text{m}$
- External Matt

DESIGN AND FEATURES

- Easy assembly and cleaning
- Hygienic design.
- Single Mechanical seal
- ISO 2852 Clamp connections for easy assembly /disassembly.
- Cleaning and disinfection without disassembly



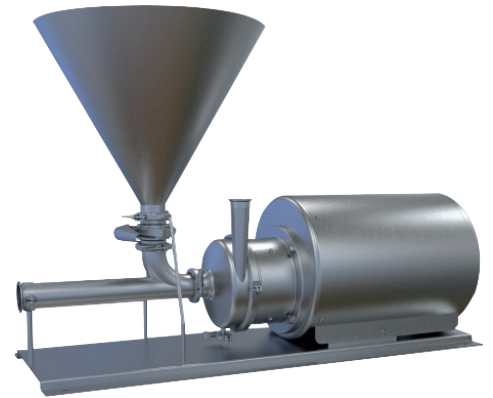
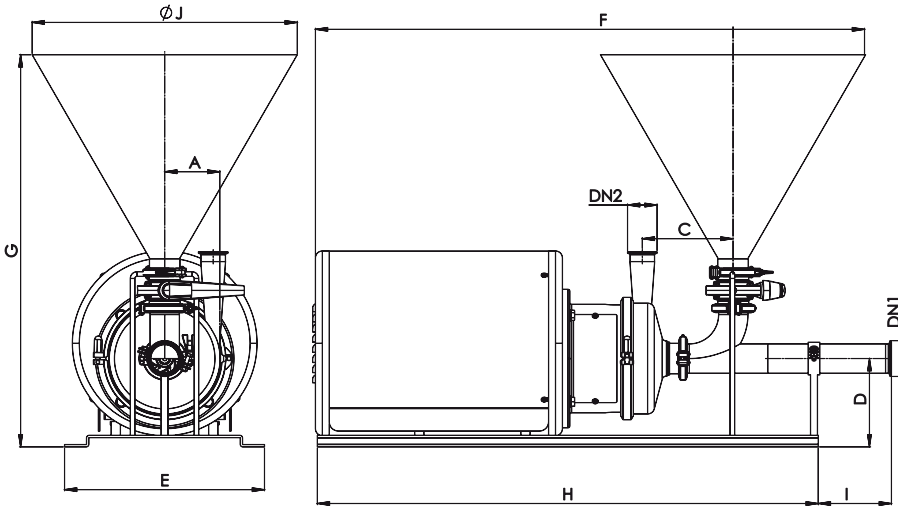
FB100 BLENDER

DIMENSIONS

TYPE	Ø DN1	Ø DN2	A	B	C	D	E	F	G	H	I	J
FB-100-0120	2"	1 1/2"	74	131	240	313	490	1045	933	900	37	505
FB-100-0126	3"	2"	72	145	322	325	490	1185	1060	1200	40	605

CAPACITY

Liquid (m ³ /h)	Powder (kg/h)	Power (kw)	Speed (rpm)	Weight (kg)
20	1300	3	3000	88
40	2000	5,5	3000	103



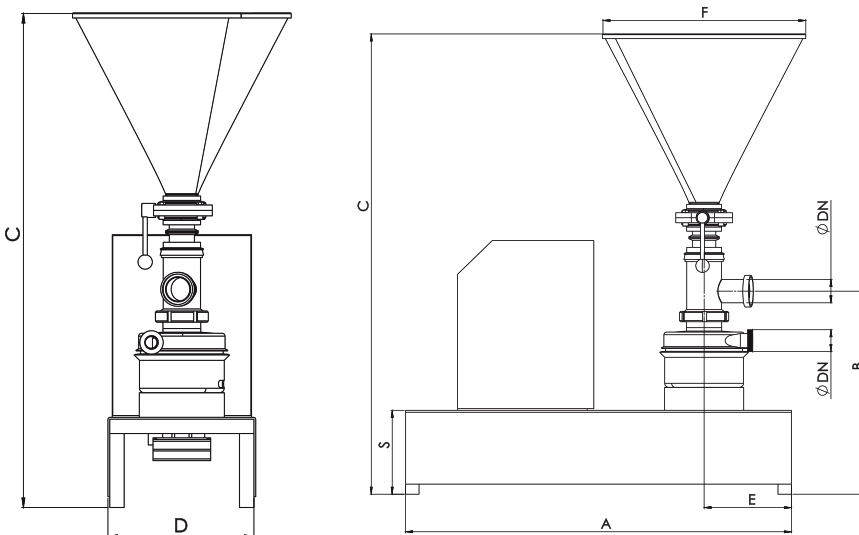
FB200 BLENDER

DIMENSIONS

TYPE	ØDN	A	B	C	D	E	F
FB-200	3"	950	438	1380	410	170	615

CAPACITY

Liquid (m ³ /h)	Powder (kg/h)	Power (kw)	Speed (rpm)	Weight (kg)
65	9000	11	3000	240





Marxi Group Sp. Z o.o. spółka komandytowa

Ul. Chełmżyńska 70 04-247 Warsaw / Poland

Mobile: +48 506 197 962 - **Phone:** +48 22 610 19 82

info@flussmann.com - www.flussmann.com