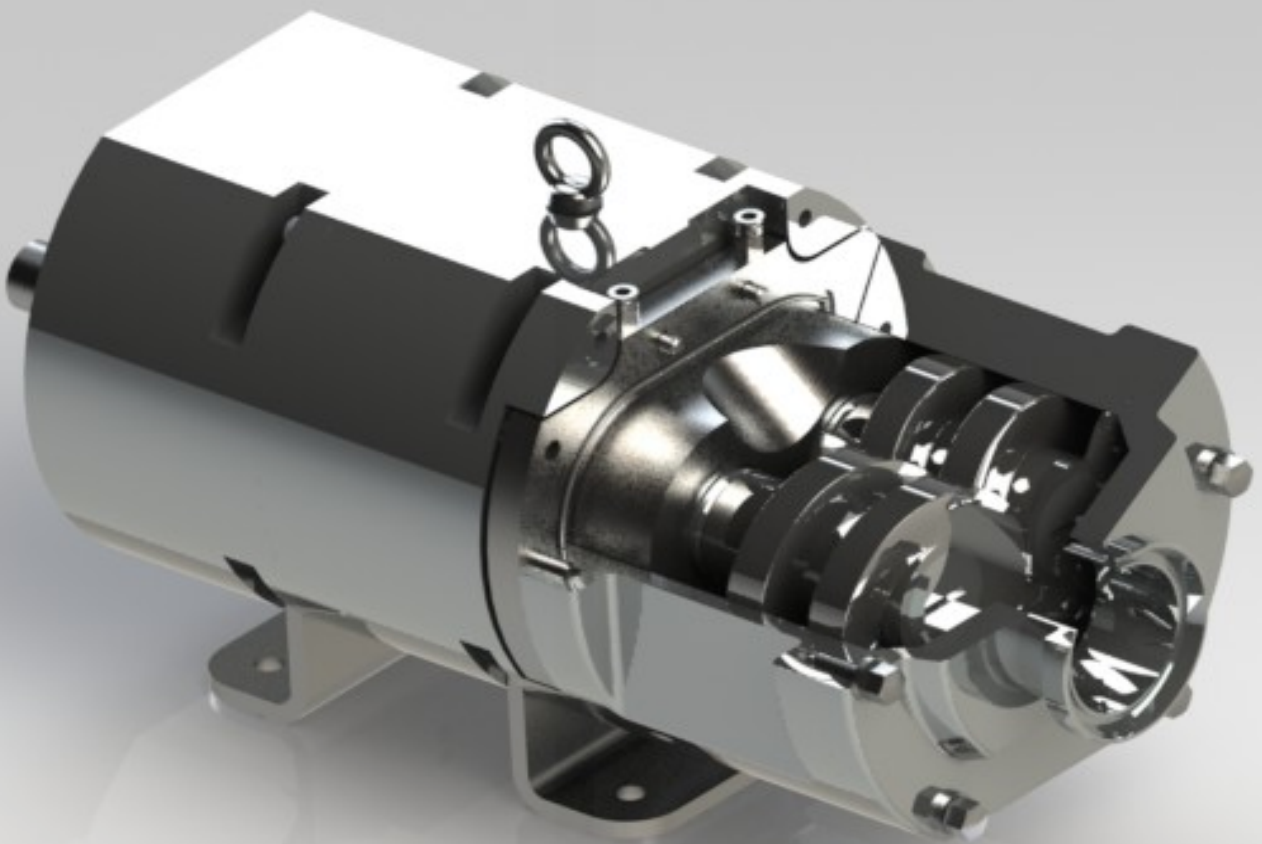


▶ Twin Screw pumps



FLUSSMANN

Twin Screw Pumps

Application

Twin screw pumps are predestinated by their operation mode and the construction for low shearing and smooth handling of sensitive products.

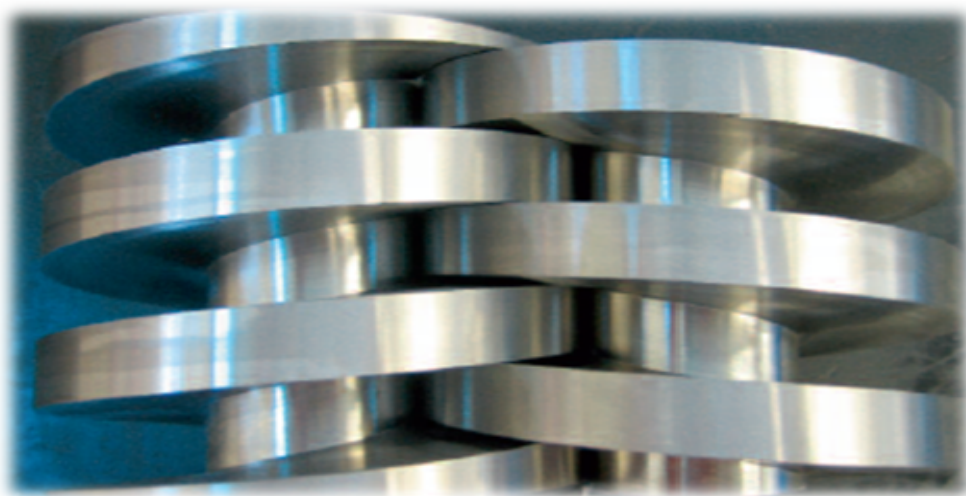
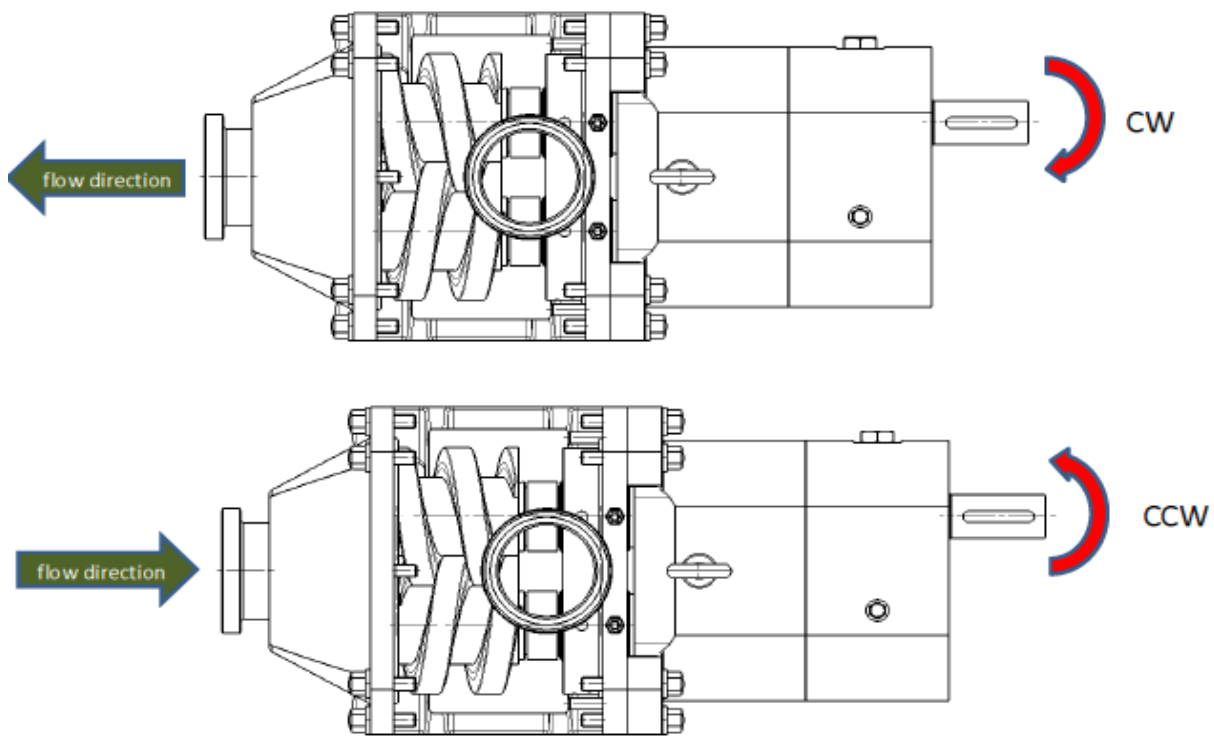
The axial transporting movement, without changing direction, as well as the non-contacting intermeshing screws, provide optimum results.

The Screws Pair rotates inside the Pump Enclosure, creating several separate chambers and pushing the fluid trapped inside in accordance with the progression of the screws pitch. The flow rate is particularly uniform and pulsation-free, and the pumped fluid flows in an axial direction (not circumferentially, as it happens in the centrifugal pumps) The result of the screws rotation is a gentle movement of the displaced volume, in not turbulent conditions, making it ideal for handling shear-sensitive fluids or liquids easily subject to emulsification.

- Tomato paste, ketchup, sauces
- Personal care
- Chocolate
- Toothpaste
- Yogurt
- Cosmetics
- Ice cream
- Body oils, lotions
- Butter, margarine
- Beer and brewing
- Fruit concentrates, beverages
- Peanut
- Koncentrat pomidorowy, keczup, sosy
- Czekolada
- Jogurt
- Lody
- Masło, margaryna
- Koncentraty owocowe, napoje
- Higiena osobista
- Pasta do zębów
- Kosmetyki
- Olejki do ciała, balsamy
- Piwo i warzenie
- Orzechy



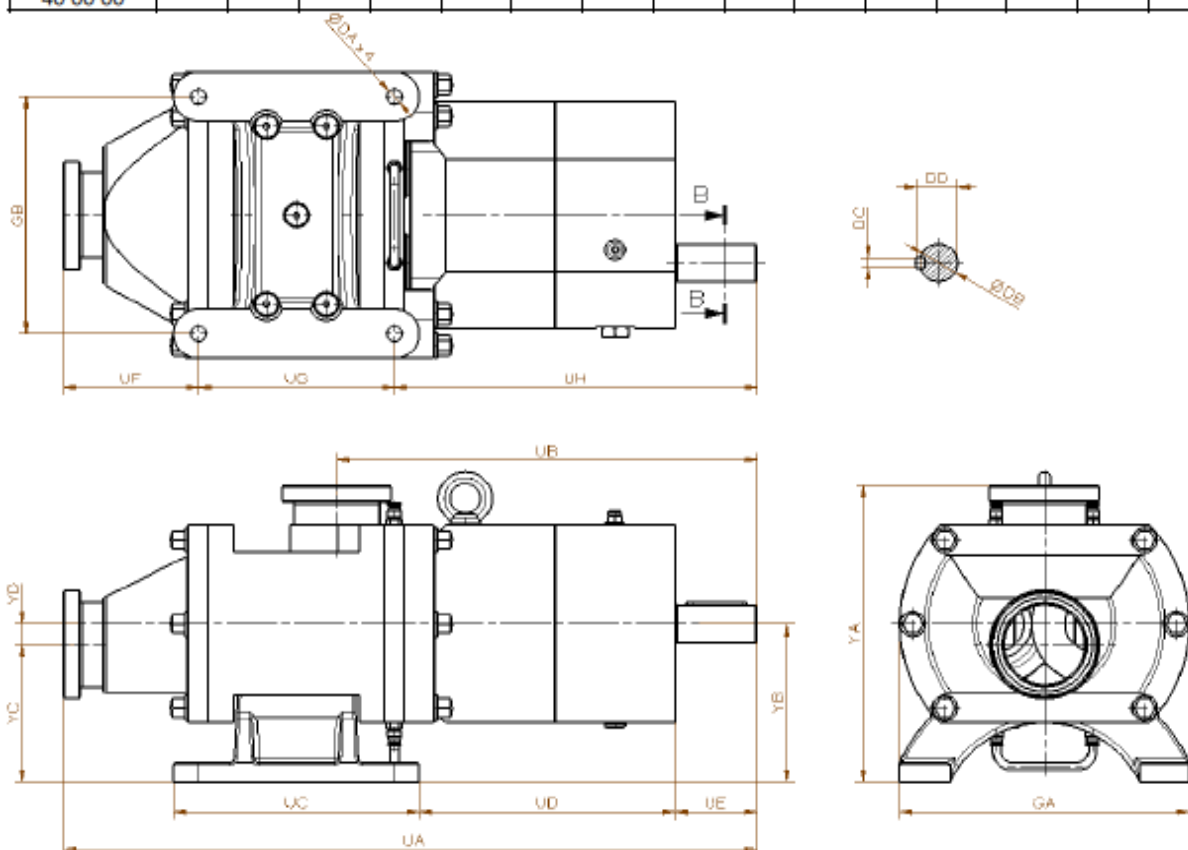
Thanks to the absence of pulsations, the pumped product does not suffer of changes of volume, texture, aspect and properties. Since the Screws are contactless, the pumped product is not squeezed or smashed, so its physical properties are maintained after it is pumped. Compact Design and Dimensions, Easy Access for Maintenance.
The Pump is suitable to CIP and SIP and can be used as a CIP Pump.



I Materials	
Parts in contact with the product	AISI 316L
Bearing support	GG 25
Gaskets	EPDM
Mechanical seal	SiC/C/EPDM

Dimensions

Model	UA	UB	UC	UD	UE	UF	UG	UH	GA	GB	YA	YB	YC	YD	DA	DB	DC	DD
TWINSREW 20 00 00	561,5	328	205,5	209	57	112,5	160,5	288,5	240	195	247,5	135	112,2	22,8	13	28	31	8
TWINSREW 26 00 00	694	420,5	246	256	82	135	196	363	290	240	300	160	139,1	20,9	15	38	41	10
TWINSREW 32 00 00	819	493	281	293	103	172	221	426	365	305	366,5	200	173,5	26,5	17	48	51,8	14
TWINSREW 40 00 00	976	590,5	325	364	122	200	255	521	440	370	436	250	216,8	33,2	19	56	60,4	16



FLUSSMANN

Marfil Sp. Z o.o. spółka komandytowa
 ☎ +48 506 197 962
 ☎ +48 22 323 11 05/06

📍 Ul. Grochowska 316/320
 03-839 Warsaw / Poland

